

The High Quality Route to clean water.



# Multi Media Filters Plant ProFilter<sup>®</sup>



# The Quality Company – Worldwide



## An Undoubtedly Quality

River, boreholes, lakes and sea can provide an alternative source of water to the mains. Our sand/anthracite filters will remove suspended solids from the water for use in a wide variety of industrial processes. The water is passed through a bed of sand and anthracite to produce clear water with typically less than 1 ppm of solids. The accumulated matter is removed by a high velocity backwash system coupled with an air scour when required. On multiple installations the filter units can be arranged to provide clean water for the backwashing operation without the need for a backwash water storage tank. Pressure filters manufactured from high quality coated steel. Semi automatic, time and differential pressure initiated version are available for post treatment of general drinking, well, cooling and raw water to make them suitable for technical process.

Typical applications include:

- cooling towers
- swimming pools
- sea water filtration
- water system pre treatment
- breweries, waterworks and wastewater treatment

## Benefits for the customer

- attractive prices
- Quality & Project Plan / Validation Plan
- Validation strategy
- Validation protocols
- Review of certificates, technical documentation
- Change control
- Service contract with full documentation
- low capital Investment

## High quality route

**TREATMENT**<sup>®</sup> range of pressure Multi media filters has been designed for the efficient removal of suspended solids in water supplies. Our receipt for back washing is: Generally once a week but latest after reaching a differential pressure of max 5mWs.

The HF model flows are possible with solids up to 15 ppm. Above this, up to 300 ppm the LF flows should be used. Output water quality is typically less than 1 ppm solids. Some applications may require lower flow rates to achieve output quality. The filter vessels are fabricated from high quality coated steel. Vessel internals, pipe work and distribution and collection systems are manufactured from corrosion resistant material.

Construction:

The filter vessels are fabricated from seamless glass reinforced plastic or steel and supported on a curved section skirt mounted on the bottom dished end.

Vessel internals, pipe work and distribution and collection systems are manufactured from corrosion resistant material

## Service after system handover

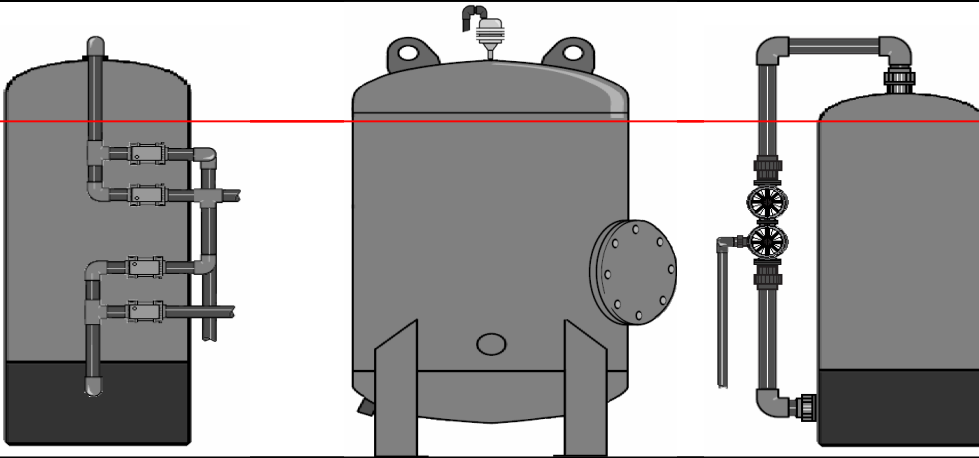
The TREATMENT<sup>®</sup> Customer Services include fault-diagnosis Systems up to and including remote assistance and a 24-hour Hotline.

# Fields of Activity



- ProFilter® General Steel multi media sand filter Systems. . . . .4
- ProFilter® steel media sand filter Systems Type HF . . . . .5
- ProFilter® steel media sand filter Systems Type LF. . . . .6
- ProFilter® General GRP multi media sand filter Systems . . . . . 9
- ProFilter® GRP media sand filter Systems Type HF . . . . .10
- ProFilter® GRP media sand filter Systems Type LF . . . . .11
- ProFilter® General GRP media sand filter Systems Simple . . . . . 13
- ProFilter® GRP media sand filter Simple Systems Type HF. . . . . 14
- ProFilter® GRP media sand filter Simple Systems Type LF. . . . .16

## ProFilter<sup>®</sup> Multi Media Pressure Filters Unit Type HF and LF



sand/anthracite filters will remove suspended solids from the water for use in a wide variety of applications. The water is passed through a bed of sand and anthracite to produce clear water with typically less than 1 ppm of solids. The accumulated matter is removed by a high velocity backwash system coupled with an air scour when required. On multiple installations the filter units can be arranged to provide clean water for the backwashing operation without the need for a backwash water storage tank. Pressure filters manufactured from high quality coated steel. Semi automatic, time and differential pressure initiated version are available for post treatment and reuse of process water, well, and raw water to make them suitable for technical process.

Flow rates of standard modules: Up to 100 m<sup>3</sup>/h per unit. The plants are sold with manual or automatic backwash. The tanks are either of steel stainless steel or FRP. Inside the tanks are protected against corrosion according to job and likewise choice of filling is based on individual considerations. The flexible system with many standard modules results in favorable prices and makes countless applications possible.

The plants are uncomplicated and at the same time extremely efficient and reliable. The design makes installation and maintenance relatively easy. All filters can have DIP (Disinfection in Place) for disinfection.

We have the necessary technical experience of Multi media filter from countless installations throughout the years.

TREATMENT<sup>®</sup> ProFilter<sup>®</sup> range of pressure Multi media filters has been designed for the efficient removal of suspended solids in water supplies. Our receipt for back washing is: Generally once a week but latest after reaching differential pressure of max 5mWs.

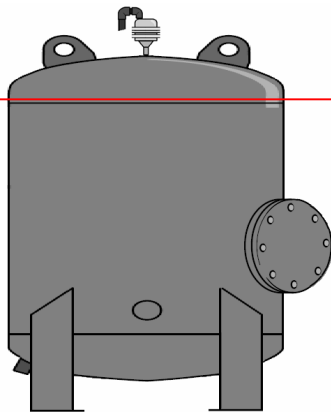
The HF model flows are possible with solids up to 15 ppm. Above this, up to 300 ppm the LF flows should be used. Output water quality is typically less than 1 ppm solids. Some applications may require lower flow rates to achieve output quality. The filter vessels are fabricated from high quality coated steel. Vessel internals, pipe work and distribution and collection systems are manufactured from corrosion resistant material.

#### Construction:

The filter vessels are fabricated from seamless glass reinforced plastic or steel and supported on a curved section skirt mounted on the bottom dished end.

Vessel internals, pipe work and distribution and collection systems are manufactured from corrosion resistant material.

## ProFilter<sup>®</sup> Media & Multi Media Pressure Filters Steel Unit Type HF



This ProFilter<sup>®</sup> HF steel type high flow media filter are fabricated from good quality mild steel enamel paint outer and internally protected with food grade chemically cured epoxy. Pneumatically or hydraulic operated diaphragm or butterfly valves are mounted in the frontal manifold and the pipework, distribution and collection systems are manufactured from ABS. the micro computer determines when backwashing is required and initiates the backwash process automatically. Our receipt for back washing is: Generally once a week but latest after reaching differential pressure of max 5mWs. Output water quality is typically less than 1 ppm solids

**Stand mounted:** the units don't include the valves manifold

**Unit design:**

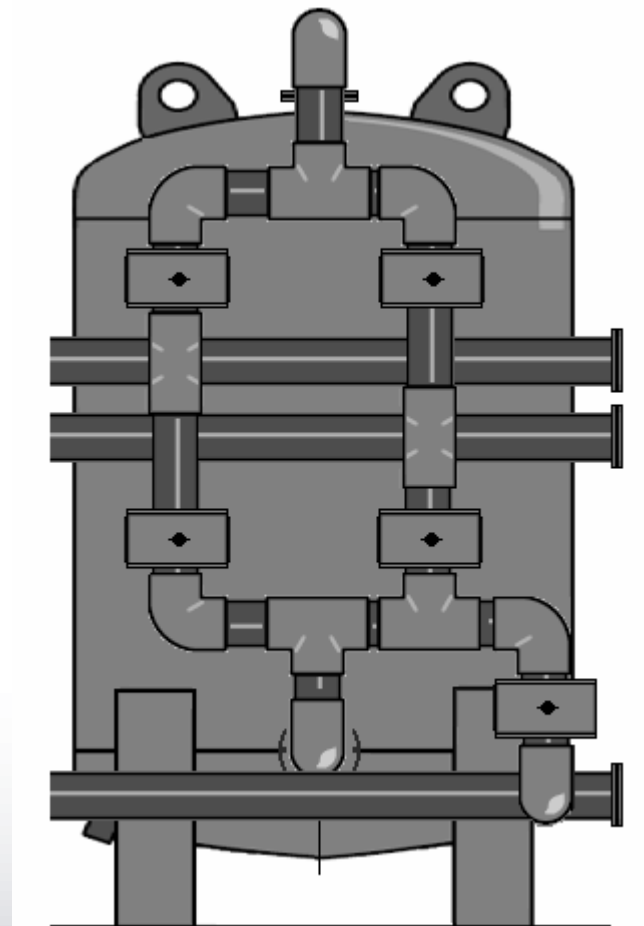
- 1 pressure tanks made of mild steel inner epoxy cured
- 1 set of valves manifold according to order standard.
- 1 electronic commander Spc type
- 1 complete piping with operated valves, pressure gauge, sampling valve and media

**Prefilter:** Screen with 100 µm filter and 2 pressure gauges.

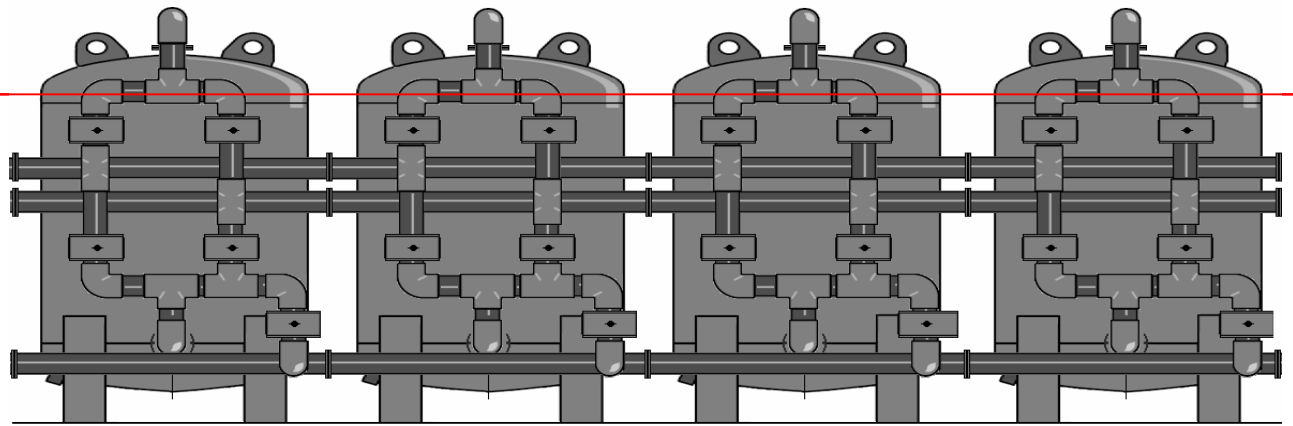
**Media type:** hydro quartz, catalytic media, anthracite.

**Valves and instruments:** solenoid valve 3/2 pneumatically or hydraulic operated.

**Microprocessor control system:** Solid state microprocessor



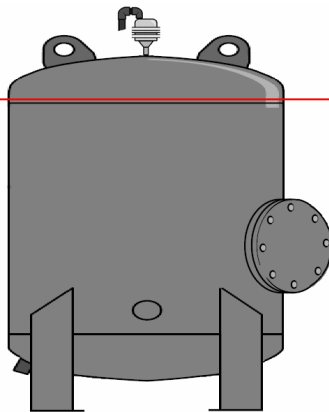
# ProFilter<sup>®</sup> Media & Multi Media Pressure Filters Steel Unit Type HF



Filtration speed- 15 M/H

Filter Model	Connection Size		Body Diameter		Filtration Area		Recommended Flow Rate		
	Inch	mm	Inch	mm	SqM	SqF	M <sup>3</sup> /h	L/sec	gpm
ProFilter <sup>®</sup> - HF20	1.5	40	20	500	0.20	2.15	3	0.8	13.2
ProFilter <sup>®</sup> - HF25	1.5	40	25	625	0.30	3.23	4.5	1.4	17.6
ProFilter <sup>®</sup> - HF30	2	50	30	750	0.44	4.73	7	1.7	26.4
ProFilter <sup>®</sup> - HF36	2	50	36	900	0.63	6.46	9.5	2.5	39.6
ProFilter <sup>®</sup> - HF48	2	50	48	1200	1.13	12.16	17	4.7	74.9
ProFilter <sup>®</sup> - HF64	3	80	64	1600	2.00	21.52	30	8.3	132.2
ProFilter <sup>®</sup> - HF80	4	100	80	2000	3.14	33.79	47	13.0	207.0
ProFilter <sup>®</sup> - HF88	4	100	88	2200	3.80	40.90	57	15.8	251.0
ProFilter <sup>®</sup> - HF100	4	100	100	2500	4.90	52.70	74	20.5	326.0
ProFilter <sup>®</sup> - HF120	6	150	120	3000	7.06	75.60	106	29.7	471.0

## ProFilter<sup>®</sup> Media & Multi Media Pressure Filters Steel Unit Type LF



This ProFilter<sup>®</sup> LF steel type low flow media filter are fabricated from good quality mild steel enamel paint outer and internally protected with food grade chemically cured epoxy. Pneumatically or hydraulic operated diaphragm or butterfly valves are mounted in the frontal manifold and the pipework, distribution and collection systems are manufactured from ABS. the micro computer determines when backwashing is required and initiates the backwash process automatically. Our receipt for back washing is: Generally once a week but latest after reaching differential pressure of max 5mWs. Output water quality is typically less than 1 ppm solids

**Stand mounted:** the units don't include the valves manifold

**Unit design:**

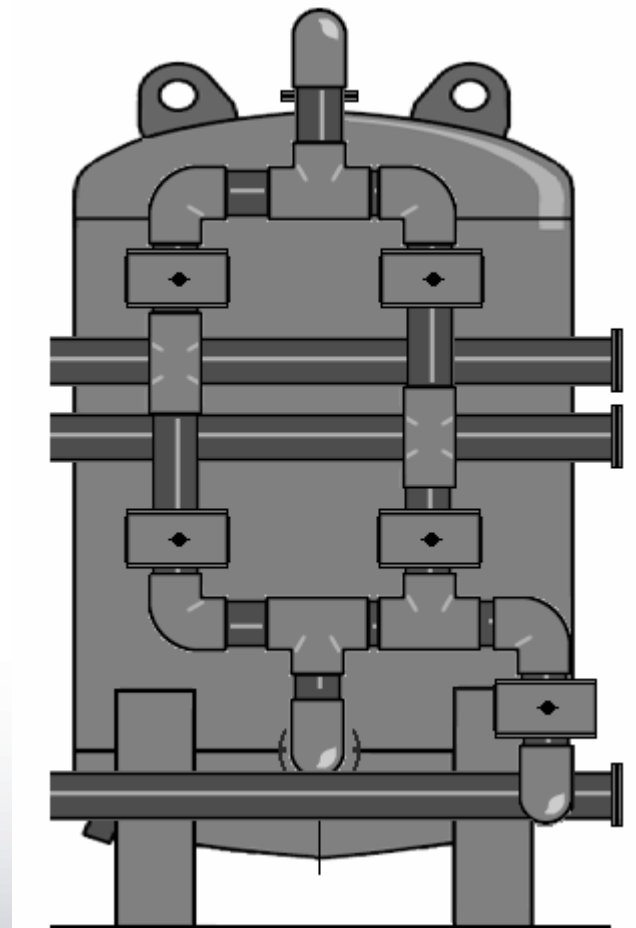
- 1 pressure tanks made of mild steel inner epoxy cured
- 1 set of valves manifold according to order standard.
- 1 electronic commander Spc type
- 1 complete piping with operated valves, pressure gauge, sampling valve and media

**Prefilter:** Screen with 100 µm filter and 2 pressure gauges.

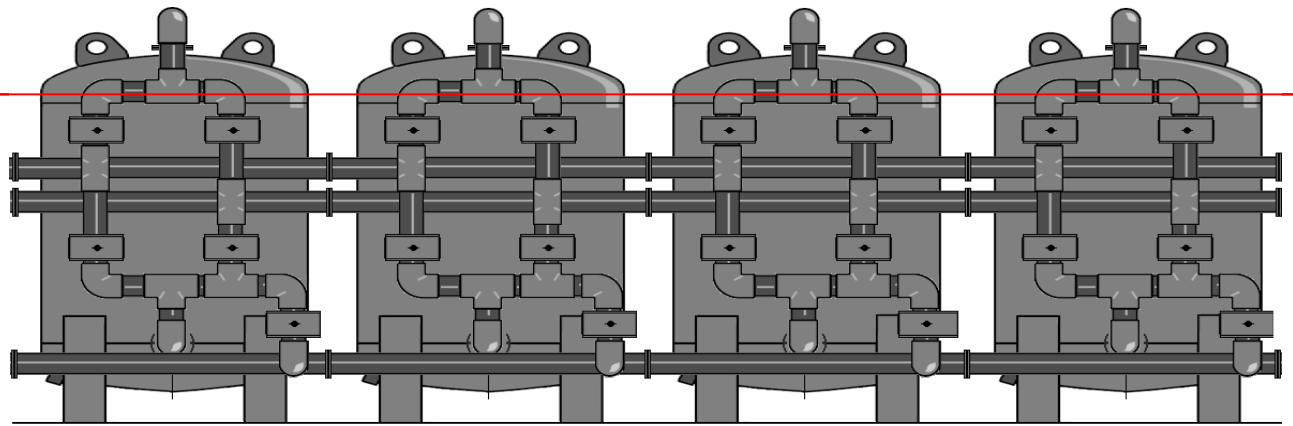
**Media type:** hydro quartz, catalytic media, anthracite.

**Valves and instruments:** solenoid valve 3/2 pneumatically or hydraulic operated.

**Microprocessor control system:** Solid state microprocessor



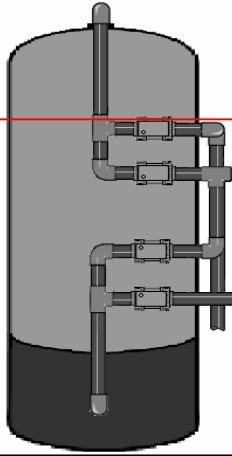
# ProFilter<sup>®</sup> Media & Multi Media Pressure Filters Steel Unit Type LF



Filtration speed- 5 M/H

Filter Model	Connection Size		Body Diameter		Filtration Area		Recommended Flow Rate		
	Inch	mm	Inch	mm	SqM	SqF	M <sup>3</sup> /h	L/sec	gpm
ProFilter <sup>®</sup> - LF20	1	32	20	500	0.20	2.15	1	0.3	4.4
ProFilter <sup>®</sup> - LF25	1	32	25	625	0.30	3.23	1.5	0.6	8.8
ProFilter <sup>®</sup> - LF30	1	32	30	750	0.44	4.73	2.5	0.8	13.2
ProFilter <sup>®</sup> - LF36	1	32	36	900	0.63	6.46	3	1.1	17.6
ProFilter <sup>®</sup> - LF48	1.5	40	48	1200	1.13	12.16	6	1.7	26.4
ProFilter <sup>®</sup> - LF64	2	50	64	1600	2.00	21.52	10	2.8	44.0
ProFilter <sup>®</sup> - LF80	2	50	80	2000	3.14	33.79	16	4.5	70.5
ProFilter <sup>®</sup> - LF88	3	80	88	2200	3.80	40.90	19	5.3	84.0
ProFilter <sup>®</sup> - LF100	3	80	100	2500	4.90	52.70	25	6.9	110.0
ProFilter <sup>®</sup> - LF120	4	100	120	3000	7.06	75.60	36	10.0	159.0

## ProFilter<sup>®</sup> Multi Media Pressure Filters Unit Type GRP HF and LF



This ProFilter<sup>®</sup> GRP type high flow media filter are fabricated from seamless glass reinforced plastic and supported on a curved section skirt mounted on the bottom dished end. vessel internals ,pipework and distribution and collection systems are manufactured from corrosion-resistant ABS or polypropylene. Pneumatically or hydraulic operated diaphragm or butterfly valves are mounted in the frontal manifold and the pipework, distribution and collection systems are manufactured from polypropylene. the micro computer determines when backwashing is required and initiates the backwash process automatically. Our receipt for back washing is: Generally once a week but latest after reaching differential pressure of max 5mWs. Output water quality is typically less than 1 ppm solids

**Stand mounted:** the units don't include the valves manifold

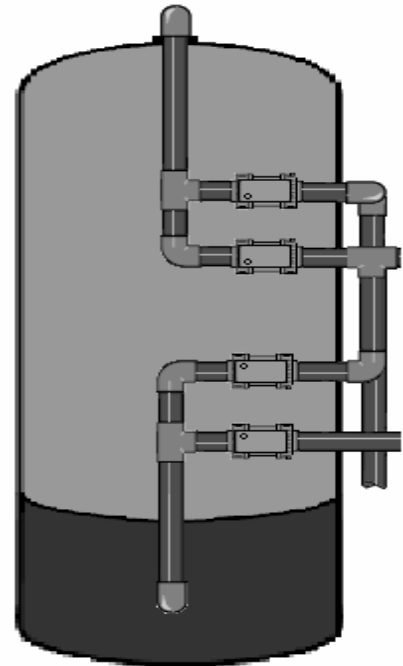
**Unit design:**

- 1 pressure tanks made of GRP inner polyethylene.
- 1 set of valves manifold according to order standard.
- 1 electronic commander Spc type
- 1 complete piping with operated valves, pressure gauge, sampling valve and media

**Prefilter:** Screen with 100 µm filter and 2 pressure gauges.

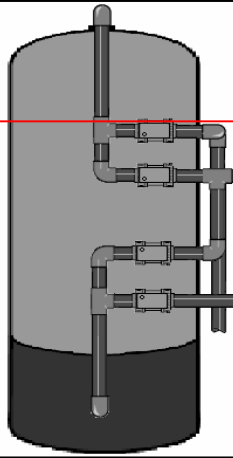
**Media type:** hydro quartz, catalytic media, anthracite.

**Valves and instruments:** solenoid valve 3/2 pneumatically or hydraulic operated.



# ProFilter<sup>®</sup> Multi Media Pressure Filters

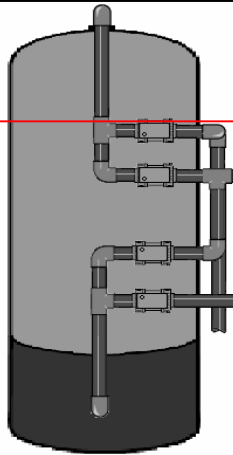
## Unit Type GRP HF



Filtration speed- 15 M/H

Filter Model	Connection Size		Body Diameter		Filtration Area		Recommended Flow Rate		
	Inch	mm	Inch	mm	SqM	SqF	M <sup>3</sup> /h	L/sec	gpm
ProFilter <sup>®</sup> - GRPHF10	1	32	10	254	0.05	0.53	0.75	0.20	3.17
ProFilter <sup>®</sup> - GRPHF12	1	32	12	304	0.07	0.75	1	0.27	4.28
ProFilter <sup>®</sup> - GRPHF14	1	32	14	355	0.09	0.96	1.5	0.41	6.50
ProFilter <sup>®</sup> - GRPHF16	1	32	16	406	0.13	1.39	2	0.55	8.73
ProFilter <sup>®</sup> - GRPHF21	1.5	40	21	533	0.22	2.36	3.5	0.97	15.39
ProFilter <sup>®</sup> - GRPHF24	1.5	40	24	609	0.29	3.12	4.5	1.25	19.84
ProFilter <sup>®</sup> - GRPHF30	2	50	30	762	0.45	4.84	7	1.94	30.79
ProFilter <sup>®</sup> - GRPHF36	2	50	36	889	0.62	6.67	9.5	2.63	41.74
ProFilter <sup>®</sup> - GRPHF42	2	50	42	1066	0.89	9.57	13.5	3.75	59.52
ProFilter <sup>®</sup> - GRPHF48	3	80	48	1219	1.16	12.48	17	4.70	74.60

## ProFilter<sup>®</sup> Multi Media Pressure Filters Unit Type GRP LF



This ProFilter<sup>®</sup> GRP type low flow media filter are fabricated from seamless glass reinforced plastic and supported on a curved section skirt mounted on the bottom dished end. vessel internals ,pipework and distribution and collection systems are manufactured from corrosion-resistant ABS or polypropylene. Pneumatically or hydraulic operated diaphragm or butterfly valves are mounted in the frontal manifold and the pipework, distribution and collection systems are manufactured from polypropylene. the micro computer determines when backwashing is required and initiates the backwash process automatically. Our receipt for back washing is: Generally once a week but latest after reaching differential pressure of max 5mWs.

Output water quality is typically less than 1 ppm solids

**Stand mounted:** the units don't include the valves manifold

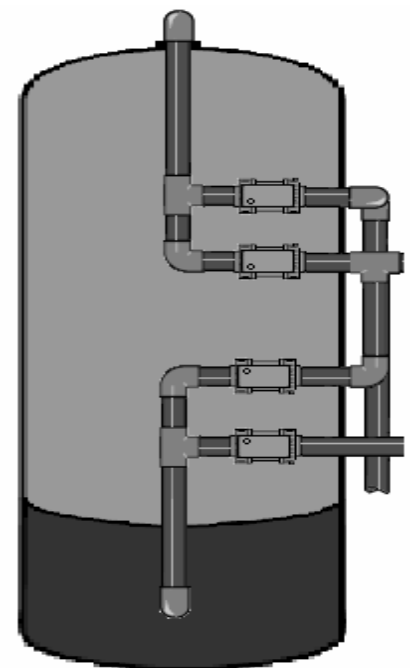
**Unit design:**

- 1 pressure tanks made of GRP inner polyethylene.
- 1 set of valves manifold according to order standard.
- 1 electronic commander Spc type
- 1 complete piping with operated valves, pressure gauge, sampling valve and media

**Prefilter:** Screen with 100 µm filter and 2 pressure gauges.

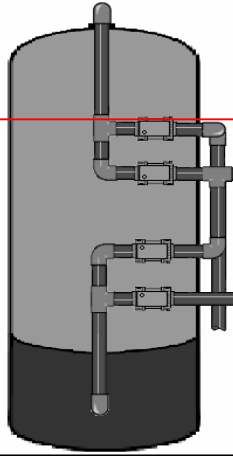
**Media type:** hydro quartz, catalytic media, anthracite.

**Valves and instruments:** solenoid valve 3/2 pneumatically or hydraulic operated.



# ProFilter® Multi Media Pressure Filters

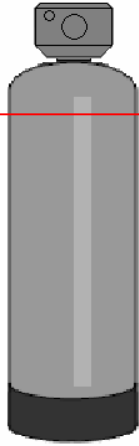
## Unit Type GRP LF



Filtration speed- 5 M/H

Filter Model	Connection Size		Body Diameter		Filtration Area		Recommended Flow Rate		
	Inch	mm	Inch	mm	SqM	SqF	M <sup>3</sup> /h	L/sec	gpm
ProFilter® - GRPLF10	1	32	10	254	0.05	0.53	0.25	0.06	1.10
ProFilter® - GRPLF12	1	32	12	304	0.07	0.75	0.35	0.09	1.54
ProFilter® - GRPLF14	1	32	14	355	0.09	0.96	0.45	0.12	1.98
ProFilter® - GRPLF16	1	32	16	406	0.13	1.39	0.65	0.18	2.86
ProFilter® - GRPLF21	1	32	21	533	0.22	2.36	1.1	0.30	4.85
ProFilter® - GRPLF24	1	40	24	609	0.29	3.12	1.45	0.40	6.39
ProFilter® - GRPLF30	1	50	30	762	0.45	4.84	2.25	0.62	9.92
ProFilter® - GRPLF36	1	50	36	889	0.62	6.67	3.1	0.86	13.66
ProFilter® - GRPLF42	1	50	42	1066	0.89	9.57	4.45	1.23	19.62
ProFilter® - GRPLF48	1	80	48	1219	1.16	12.48	5.8	1.61	25.57

## ProFilter<sup>®</sup> Multi Media Pressure Filters Unit Type GRP Simple HF and LF



This ProFilter<sup>®</sup> GRP type high flow media filter are fabricated from seamless glass reinforced plastic and supported on a curved section skirt mounted on the bottom dished end. vessel internals ,pipework and distribution and collection systems are manufactured from corrosion-resistant ABS or polypropylene. the micro computer determines when backwashing is required and initiates the backwash process automatically.

Our receipt for back washing is: Generally once a week but latest after reaching differential pressure of max 5mWs.

Output water quality is typically less than 1 ppm solids

**Stand mounted:** the units include the automatic valves

**Unit design:**

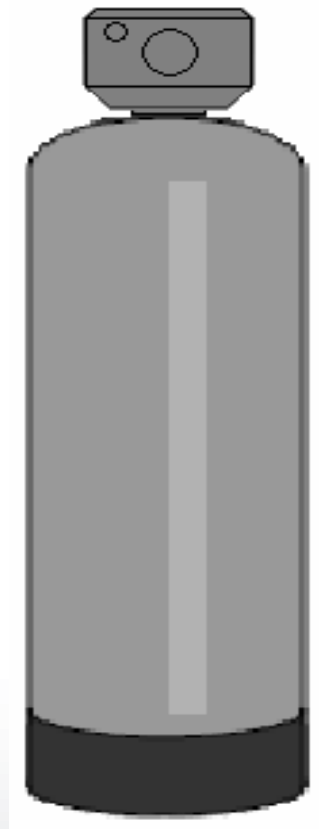
1 pressure tanks made of GRP inner polyethylene.

1 Electromechanical valve with w/o LCD display according to order standard

pressure gauge, sampling valve and media

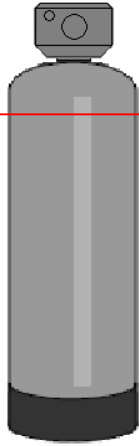
**Media type:** hydro quartz, catalytic media, anthracite.

**Microprocessor control system:** Solid state microprocessor



# ProFilter® Multi Media Pressure Filters

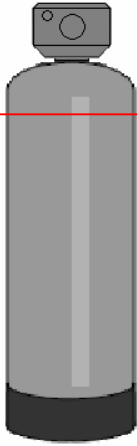
## Unit Type GRP HF



Filtration speed- 15 M/H

Filter Model	Connection Size		Body Diameter		Filtration Area		Recommended Flow Rate		
	Inch	mm	Inch	mm	SqM	SqF	M <sup>3</sup> /h	L/sec	gpm
ProFilter® - GRPSHF10	1	32	10	254	0.05	0.53	0.75	0.20	3.17
ProFilter® - GRPSHF12	1	32	12	304	0.07	0.75	1	0.27	4.28
ProFilter® - GRPSHF14	1	32	14	355	0.09	0.96	1.5	0.41	6.50
ProFilter® - GRPSHF16	1	32	16	406	0.13	1.39	2	0.55	8.73
ProFilter® - GRPSHF21	1.5	40	21	533	0.22	2.36	3.5	0.97	15.39
ProFilter® - GRPSHF24	1.5	40	24	609	0.29	3.12	4.5	1.25	19.84
ProFilter® - GRPSHF30	2	50	30	762	0.45	4.84	7	1.94	30.79
ProFilter® - GRPSHF36	2	50	36	889	0.62	6.67	9.5	2.63	41.74
ProFilter® - GRPSHF42	2	50	42	1066	0.89	9.57	13.5	3.75	59.52
ProFilter® - GRPSHF48	3	80	48	1219	1.16	12.48	17	4.70	74.60

## ProFilter<sup>®</sup> Multi Media Pressure Filters Unit Type GRP LF



This ProFilter<sup>®</sup> GRP type low flow media filter are fabricated from seamless glass reinforced plastic and supported on a curved section skirt mounted on the bottom dished end. vessel internals ,pipework and distribution and collection systems are manufactured from corrosion-resistant ABS or polypropylene. the micro computer determines when backwashing is required and initiates the backwash process automatically.

Our receipt for back washing is: Generally once a week but latest after reaching differential pressure of max 5mWs.

Output water quality is typically less than 1 ppm solids

**Stand mounted:** the units include the automatic valves

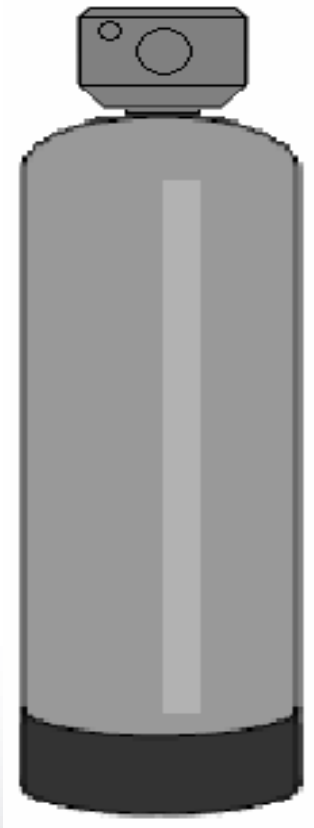
**Unit design:**

1 pressure tanks made of GRP inner polyethylene.

1 Electromechanical valve with w/o LCD display according to order standard  
pressure gauge, sampling valve and media

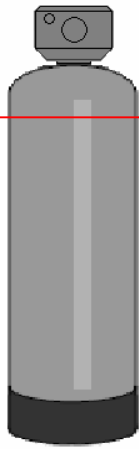
**Media type:** hydro quartz, catalytic media, anthracite.

**Microprocessor control system:** Solid state microprocessor



# ProFilter® Multi Media Pressure Filters

## Unit Type GRP LF



Filtration speed- 5 M/H

Filter Model	Connection Size		Body Diameter		Filtration Area		Recommended Flow Rate		
	Inch	mm	Inch	mm	SqM	SqF	M <sup>3</sup> /h	L/sec	gpm
ProFilter® - GRPSLF10	1	32	10	254	0.05	0.53	0.25	0.06	1.10
ProFilter® - GRPSLF12	1	32	12	304	0.07	0.75	0.35	0.09	1.54
ProFilter® - GRPSLF14	1	32	14	355	0.09	0.96	0.45	0.12	1.98
ProFilter® - GRPSLF16	1	32	16	406	0.13	1.39	0.65	0.18	2.86
ProFilter® - GRPSLF21	1	32	21	533	0.22	2.36	1.1	0.30	4.85
ProFilter® - GRPSLF24	1	40	24	609	0.29	3.12	1.45	0.40	6.39
ProFilter® - GRPSLF30	1	50	30	762	0.45	4.84	2.25	0.62	9.92
ProFilter® - GRPSLF36	1	50	36	889	0.62	6.67	3.1	0.86	13.66
ProFilter® - GRPSLF42	1	50	42	1066	0.89	9.57	4.45	1.23	19.62
ProFilter® - GRPSLF48	1	80	48	1219	1.16	12.48	5.8	1.61	25.57